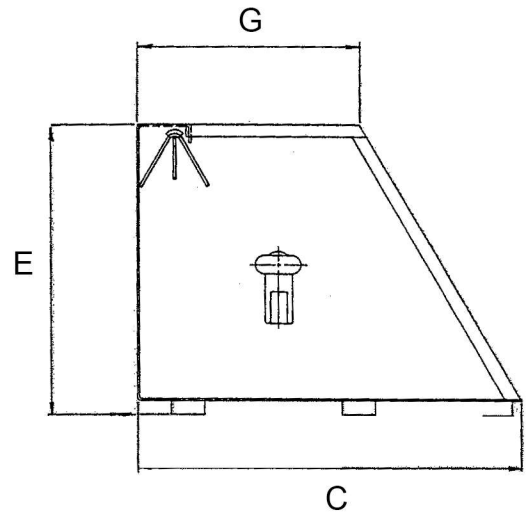
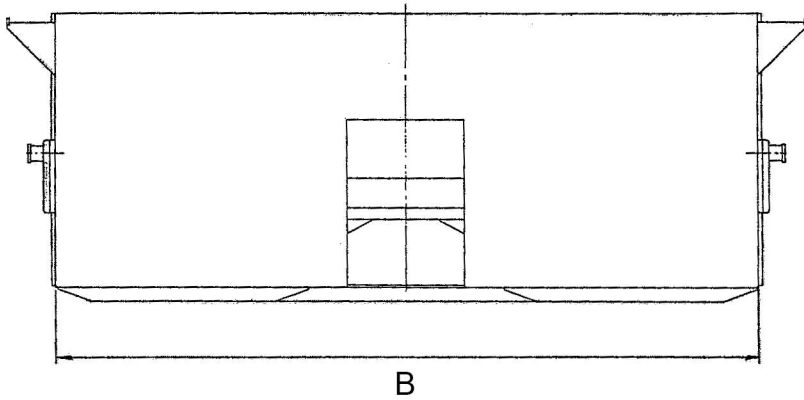
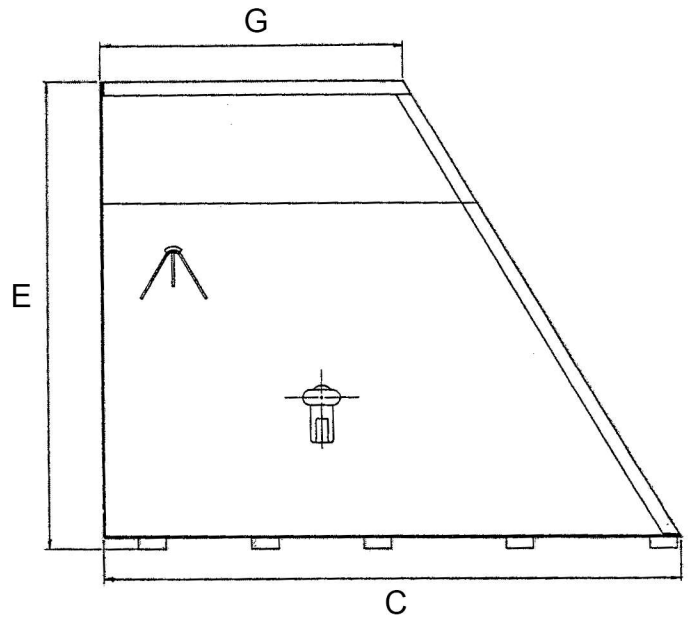
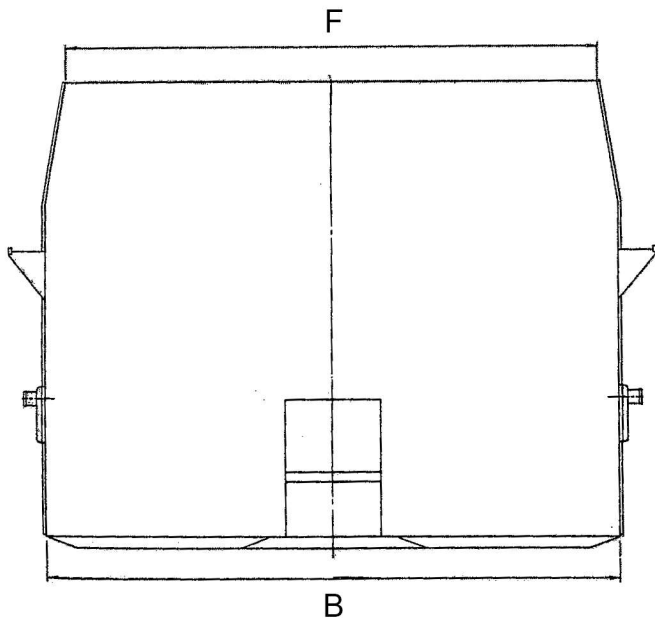


FLAT BOTTOM SKIP TYPE



STANDARD FLAT BOTTOM SKIP TYPE CONTAINERS WITH S-2 TYPE BAIL					Weight	Export Cu. Ft.
SIZE	B	C	E	G		
2 CU. YD.	84"	46"	40"	27"	900	102
2 1/2 CU. YD.	84"	52"	38"	30"	1000	108
3 CU. YD.	84"	59"	38"	37"	1100	124
4 CU. YD.	84"	65"	47"	37"	1325	168
5 CU. YD.	84"	70"	52"	40"	1875	209

FLAT BOTTOM SKIP WITH S-2 BAIL



■ Container has front wall, flat bottom and two end walls. A recessed bail is provided to secure the container during dumping operations. Casters are available as an optional extra. Under certain conditions minor adjustments to standard containers are necessary to proper operation. Requirements should be checked with engineering department before final purchase. Many special variations can be engineered to meet unusual problems. NOTE: All dimensions for reference only. If exact dimensions are required, check with engineering department. All weights plus or minus 5 per cent.

STANDARD FLAT BOTTOM SKIP WITH S-2 TYPE BAIL						Weight	Export Cu. Ft.
SIZE	B	C	E	F	G		
6 CU. YD.	84"	77"	59"	78"	42"	2200	253
7 1/2 CU. YD.	84"	84"	69"	78"	44"	2525	319